

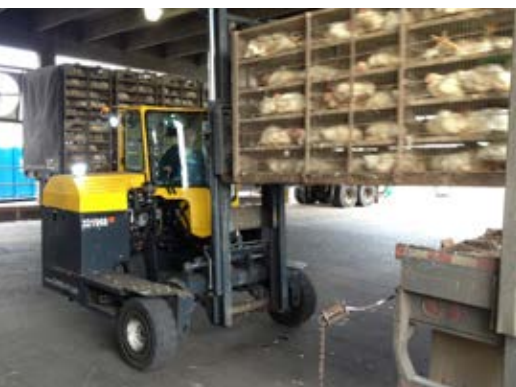
COMBi-LR

Live Receiving Model

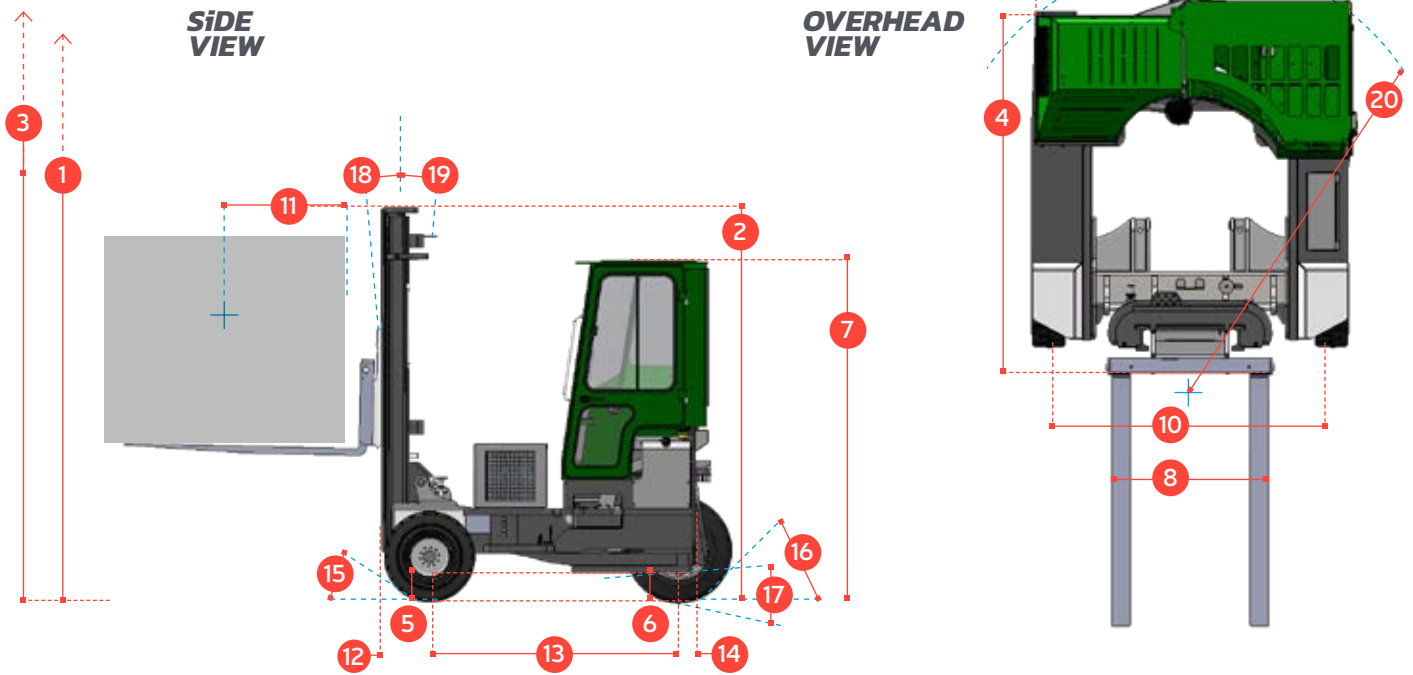
COMBiLiFT

LIFTING INNOVATION

The Combi-LR is based on the highly successful and reliable C-series multidirectional forklifts. The offset driving position provides the ideal view of the cage while a very small turning radius makes for excellent manoeuvrability.



COMBi-LR



REF.	DESCRIPTION	STANDARD
1a	Standard Lift Height	3225mm
1b	Freelift Height	0mm
2	Height Mast Closed	2578mm
3	Max. (Mast raised)	4363mm
4	Length From Face of Fork	2625mm
5	Ground Clearance Under Mast	280mm
6	Ground Clearance to Centre of Wheelbase	270mm
7	Height Over Cab (Without work lights)	2590mm
8	Outside Spread of Fork Arms	995mm
9	Width	2240mm
10	Track Front	1990mm
11	Load Centre Distance	1200mm
12	Overhang Front	470mm
13	Wheelbase	1885mm
14	Overhang Back	270mm
15	Approach Angle	45°
16	Ramp Angle	36°
17	Departure Angle	45°
18	Forward Tilt	6°
19	Backward Tilt	8°
20	Minimum Outside Radius	2310mm
21	Capacity	2500 kg
22	Unladen Weight	6400 kg
23	Maximum Ground Speed	15 km/h
24	Gradeability	15%
25	Kubota V2403 T Diesel / 3ltr GM LPG	44 kW / 48 kW

A	Electrics	12 Volt
B	Fork Section	50mm x 125mm x 1830mm
C	27 x 10 - 12 Front Tyre	OD 680mm / Width 254mm
D	355 / 65 - 15 Rear Tyre	OD 800mm / Width 292mm
E	Standard Colour	Green & Grey
F	Suspension Seat	KAB Model 116

Features Include:

- Hydraulic Oil Cooler
- Load Sensing Steering
- 3 Wheel Hydrostatic Drive
- +/- 100mm Side Shift
- +/- 3° Rotating Carriage
- Front Rubber Mounted Cabin
- Rear Hydraulic Mounted Cabin

Benefits Include:

- Small Turning Radius
- Operates Indoor and Outdoors
- Reduced Maintenance Costs
- No Mechanical Brakes
- Minimised Tyre Spin
- Visibility
- Offset Driving Position Gives Excellent View of Poultry Cage

Distributed by:

COMBILIFT HAS A POLICY OF CONTINUOUS PRODUCT DEVELOPMENT AND RESERVES THE RIGHT TO ALTER SPECIFICATIONS WITHOUT PRIOR NOTICE. SPECIFICATIONS AND/OR DIMENSIONS MAY VARY FROM THOSE ILLUSTRATED IN SOME COUNTRIES.