

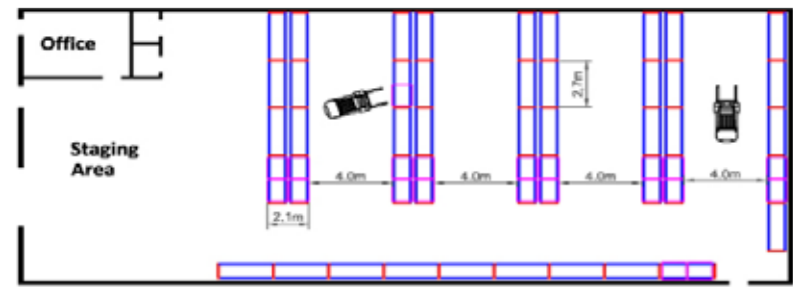


Adjustable Steering Column 4 Post Overhead Guard 19.5kW AC Motor Ease of Access

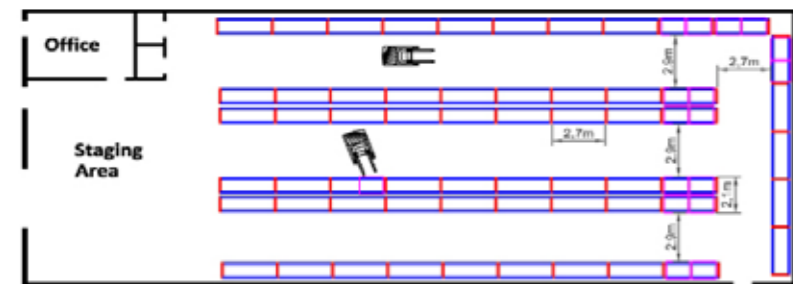
SALES | SUPPORT | RENTAL

AISLE-MASTER

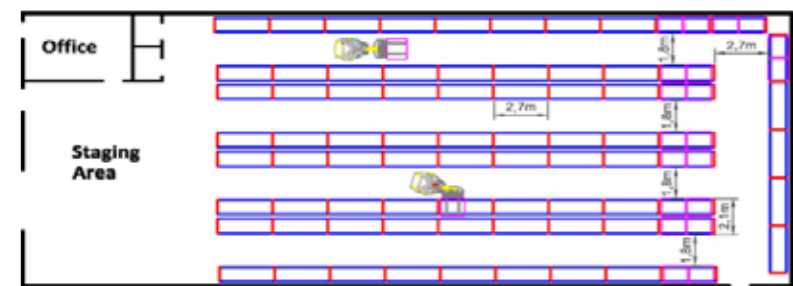
COUNTER BALANCE



REACH TRUCK



AISLE-MASTER
70% MORE than Counter Balance
30% MORE than Reach Truck



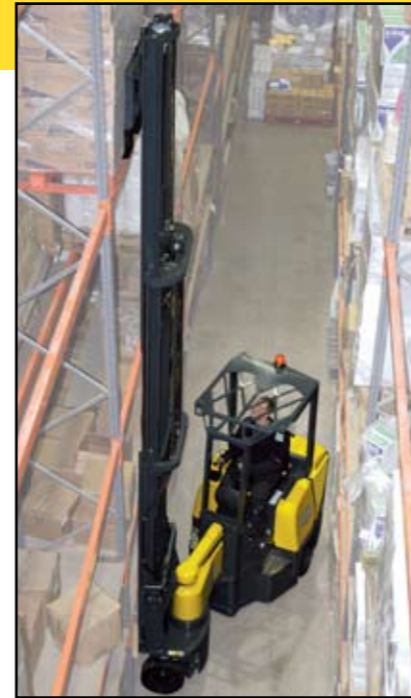
Stack to the Right



Straight a head



Stack to the Left



distributor

Aisle-Master Ltd.
 Gallinagh, Co. Monaghan
 Ireland

Tel: +353 47 80400 | Fax: +353 47 80402
 UK: 07870 976 758 | USA: 1877 266 2456
 Australia: 1300 552 422
 E-Mail: info@aisle-master.com
 website: www.aisle-master.com

Increasing Storage-Reducing Costs



REDUCE AISLE WIDTHS
INCREASE STORAGE SPACE
CUT WAREHOUSING COSTS
IMPROVE PRODUCTIVITY

LPG | AC ELECTRIC

www.Aisle-Master.com

LPG | AC ELECTRIC

www.Aisle-Master.com

AISLE-MASTER... THE VERSATILE ARTICULATED TRUCK THAT DOES IT ALL



Battery Removal



Pedal- Footguard



Drinks Holder



Cab

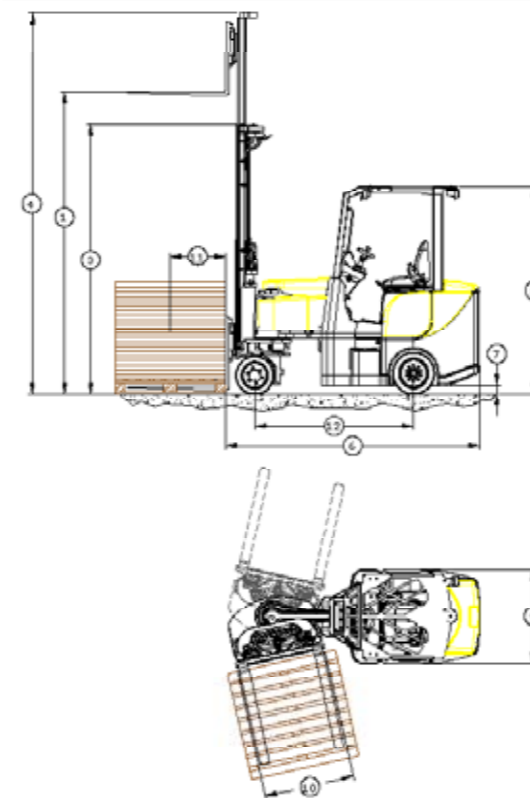


Features & Benefits:

- Large super elastic tyres
- Robust chassis construction
- Integral side shift fitted as standard
- Two motors only. Traction & hydraulic
- Low maintenance
- Indoor & outdoor
- Operator comfort and safety integral part of the machine
- Ergonomically designed to reduce fatigue and maximise visibility
- Full view of both the forks and the load
- Reduced load cycle times and product damage

| REF. | MODEL | Metric | | | Imperial | | |
|------|---------------------------------------|----------------|--------------------|-----------------|-------------|----------------|------------|
| | | 15E | 20SE | 20WHE | 33E | 44SE | 44WHE |
| 1 | Lift Height | 4750 mm | 4750 mm | 7050 mm | 187" | 187" | 278" |
| 2 | Free Lift | 1536 mm | 1536 mm | 2436 mm | 61" | 61" | 96" |
| 3 | Closed Height | 2398 mm | 2398 mm | 3298 mm | 94" | 94" | 130" |
| 4 | Extended Height | 5613 mm | 5613 mm | 7913 mm | 221" | 221" | 312" |
| 5 | Mast Range | 4300 - 6650 mm | 4300 - 9050mm | 7050 - 12400 mm | 169"-262" | 169"-356" | 278"-488" |
| 6 | Overall Length | 2780 mm | 2780 mm | 2780 mm | 109" | 109" | 104 ½" |
| 7 | Ground Clearance | | 50 mm | | | 2" | |
| 8 | Overhead Guard height | | 2270 mm | | | 89 ½" | |
| 9 | Chassis Width Rear | 1030 mm | 1220 mm | 1400 mm | 40 ½" | 48" | 55" |
| 10 | Chassis Width Front | | 980 mm | | | 39" | |
| 11 | Load Centre | | 500 mm | | | 20" | |
| 12 | Wheel Base | | 1735 mm | | | 68" | |
| 13 | Seat Height | | 1220 mm | | | 48" | |
| 14 | Mast Tilt (back/fwd) | | 3° / 1° | | | 3° / 1° | |
| 15 | Capacity | 1500 kg | 2000 kg | 2000 kg | 3300lbs | 4400lbs | 4400lbs |
| 16 | Ground Speed | | 16km/h | | | 10mph | |
| 17 | Lift Speed (Laden/Unladen) | | 0.4 / 0.5 m/s | | | 1.3 / 1.6 ft/s | |
| 18 | Front Tyre size | | 412 x 174 mm | | | 16 ¼" x 7" | |
| 19 | Rear Tyre size | | 457 x 150 mm | | | 18" x 6" | |
| 20 | Gradeability (Laden/Unladen) | | 12/15 % | | | 12/15 % | |
| 21 | Battery Voltage/Capacity | 48v / 620Ah | 48v / 775 / 930 Ah | | 48v / 620Ah | 48/775/930 Ah | |
| 22 | Weight of Truck less battery | 5150 kg | 5310 kg | 5310 kg | 11,350lbs | 11,700lbs | 11,700lbs |
| 23 | Weight of truck including the battery | 6400 kg | 6900 kg | 6900 kg | 14,100 lbs | 15,210 lbs | 15,210 lbs |
| 24 | Standard Colour | | Yellow/Grey | | | Yellow/Grey | |
| 25 | Seat | | KAB | | | KAB | |

OPTIONAL LIFT HEIGHTS AND FORK LENGTHS AVAILABLE



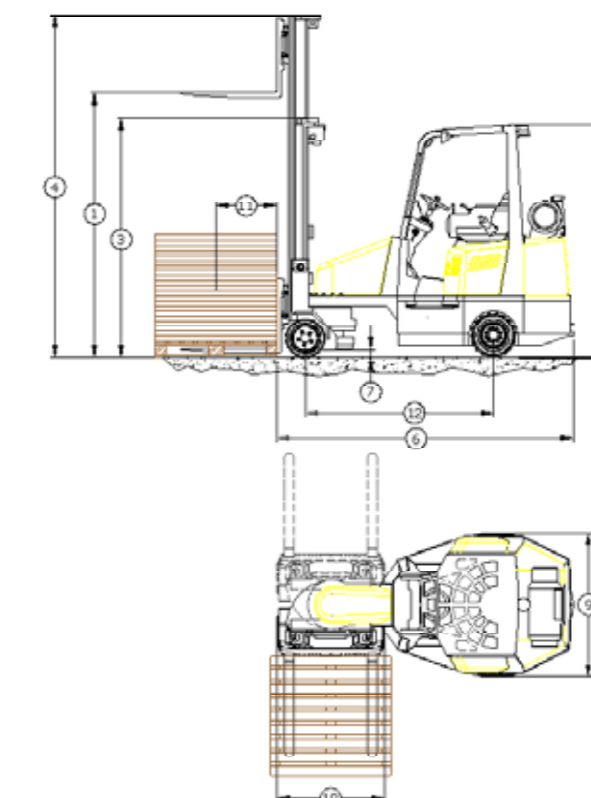
Features:

- AC Traction motor (19.5 kW)
- 775 Amp and 930 Amp hour capacity batteries
- Ergonomically designed operator's cab
- Full factory fitted customisations options available



| REF. | MODEL | Metric | | Imperial | |
|------|------------------------------|-----------------------|------------------|-----------------------|----------------|
| | | 20S | 20WH | 44S | 44WH |
| | | LP Gas | | LP Gas | |
| 1 | Lift Height | 4750 mm | 7050 mm | 187" | 278" |
| 2 | Free Lift | 1281 mm | 2436 mm | 50" | 96" |
| 3 | Closed Height | 2250 mm | 3298mm | 88½" | 130" |
| 4 | Extended Height | 5358 mm | 7913 mm | 211" | 312" |
| 5 | Mast Range | 4300 - 9050mm | 7050mm - 12400mm | 169"-262" | 278"-488" |
| 6 | Overall Length | 2825 mm | 2825 mm | 111" | 111" |
| 7 | Ground Clearance | | 75 mm | | 3" |
| 8 | Overhead Guard height | | 2311 mm | | 91" |
| 9 | Chassis Width Rear | 1350 mm | 1500 mm | 53" | 59" |
| 10 | Chassis Width Front | | 1095 mm | | 43" |
| 11 | Load Centre | | 600 mm | | 24" |
| 12 | Wheel Base | | 1890 mm | | 74" |
| 13 | Seat Height | | 1220 mm | | 48" |
| 14 | Mast Tilt (back/fwd) | | 4° / 1° | | 4° / 1° |
| 15 | Capacity | 2000 kg | 2000 kg | 4400lbs | 4400lbs |
| 16 | Ground Speed | | 11 Km/h | | 8 mph |
| 17 | Lift Speed (Laden/Unladen) | | 0.4 / 0.5 m/s | | 1.3 / 1.6 ft/s |
| 18 | Front Tyre size | | 406 x 178 mm | | 16" x 7" |
| 19 | Rear Tyre size | | 450 x 200 mm | | 18" x 8" |
| 20 | Gradeability (Laden/Unladen) | | 15% | | 15% |
| 21 | Engine | 3ltr. GM Water cooled | | 3ltr. GM Water cooled | |
| 22 | Weight of truck | 6400 kg | 7000 kg | 14,000lbs | 15,500 lbs |
| 23 | Standard Colour | Yellow/Grey | | Yellow/Grey | |
| 24 | Seat | KAB | | KAB | |

OPTIONAL LIFT HEIGHTS AND FORK LENGTHS AVAILABLE



Features:

- Hydrostatic drive
- 3 Way catalytic converter fitted as standard
- Closed loop fuel system



AC Electric

LP GAS