



COMBiLiFT

Customised Handling Solutions

C6,000 – C8,000

making short work of long loads



forward/reverse mode



carousel mode



sideward mode



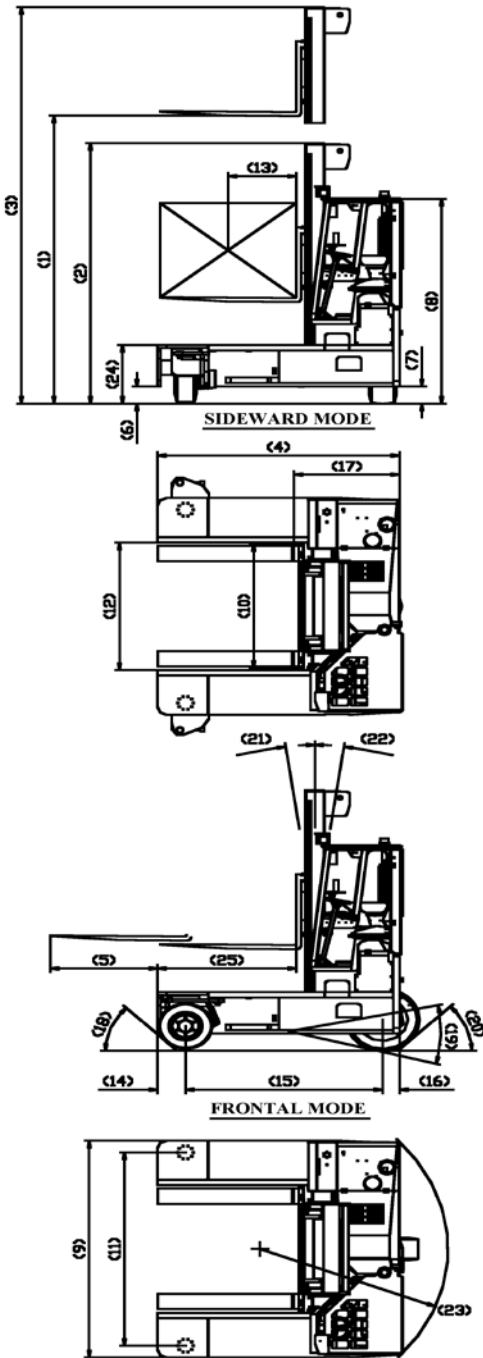
three machines in one

- counterbalance forklift - sideloader - aisle truck



SPECIFICATIONS

Model C6000 - C8000



REF	DESCRIPTION	C6,000	C8,000
1a	Max. Lift Height	4536mm	
1b	Free Lift Height	0mm	
2	Height Mast Closed	3430mm	
3	Max.(Mast raised)	5936mm	
4	Overall Length	2430mm	2670mm
5	Mast Travel	1290mm	1530mm
6	Ground Clearance Under Mast	290mm	
7	Ground Clearance to Center of Wheelbase	165mm	
8	Height Of Cab	2590mm	
9	Width	2800mm	
10	Outside Spread of Fork Arms	1600mm	
11	Track Front	2500mm	
12	Frame Opening	1650mm	
13	Load Center Distance	600mm	
14	Overhang Front	307mm	
15	Wheel Base	1915mm	2155mm
16	Overhang Back	208mm	
17	Length From Face of Fork	1180mm	
18	Approach Angle	45°	
19	Ramp Angle	29°	
20	Departure Angle	45°	
21	Forward Tilt	3°	
22	Backward Tilt	5°	
23	Minimum Outside Radius	2540mm	2750mm
24	Platform Height	745mm	745mm
25	Platform Length	1250mm	1490mm
A	Capacity	6000Kgs	8000Kgs
B	Unladen Weight	11,800Kgs	13,500Kgs
C	Maximum Ground Speed	15km/h	15km/h
D	Gradability	15%	
E	Kubota V3300-TE Diesel/ 4.3ltr GM LPG	62kW / 72kW	
F	Electric's	12 Volt	
G	Fork Section 50 x 200 x	1250mm	1490mm
H	23x 10-12 Front Tyre (Super Elastic)	OD580mm / 240mm	
I	400/60-15 Rear Tyre (Super Elastic)	OD825mm / 326mm	
J	Standard Color	Green and Grey	
K	Suspension Seat	KAB Model 21 I	

FEATURES INCLUDE:

- Rubber Mounted Half Cabin with Top, Front, Side and Rear Glass
- Multi - Direction Operation
- 3 Wheel Hydrostatic Drive
- Load Sensing Steering
- 4 way lever Positioning of Wheels
- Hydraulic Oil Cooler

Compare the options

	Outside	Inside	4-Way
COMBiLiFT	✓	✓	✓
4-Way Electric	x	✓	✓
Counterbalance	✓	✓	x
Side Loader	✓	x	x

Distributed By

COMBiLiFT Ltd
Co.Monaghan, Ireland
Tel: ++ 353 47 80500
Fax: ++ 353 47 80501
info@combilift.com