



COMBiLiFT

C14,000

Customised Handling Solutions



three machines in one

Counterbalance Forklift > Aisle Truck > Side Loader

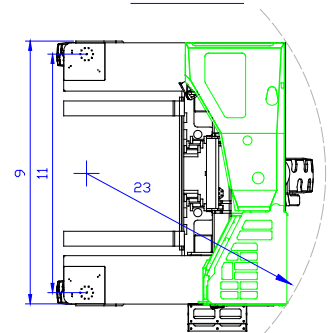
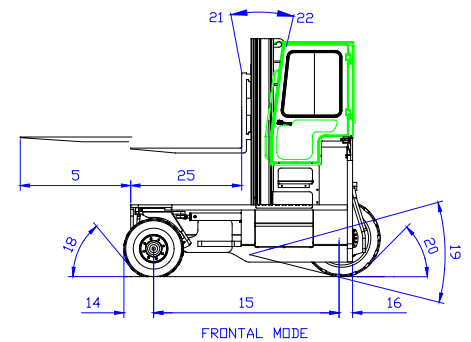
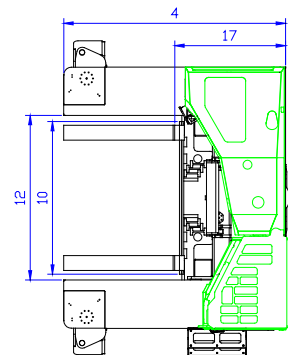
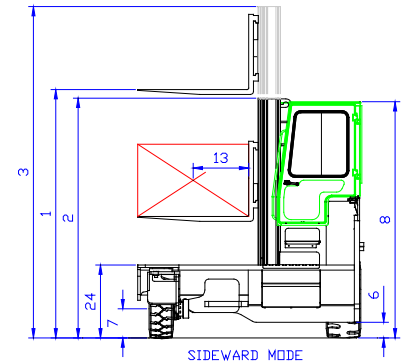
www.COMBiLiFT.com



SPECIFICATIONS

MODEL C14,000

REF	DESCRIPTION	STANDARD 2011 MODEL
1a	Max. Lift Height	4100mm
1b	Freelift Height	0mm
2	Height Mast Closed	3450mm
3	Max. (Mast raised)	5800mm
4	Overall Length	2990mm
5	Mast Travel	1650mm
6	Ground Clearance Under Mast	305mm
7	Ground Clearance to Centre of Wheelbase	330mm
8	Height Over Cab (Without work - lights)	3350mm
9	Width	3510mm
10	Outside Spread of Fork Arms	2050mm
11	Track Front	3040mm
12	Frame Opening	2210mm
13	Load Centre Distance	600mm
14	Overhang Front	467mm
15	Wheelbase	2315mm
16	Overhang Back	208mm
17	Length From Face of Fork	1500mm
18	Approach Angle	45°
19	Ramp Angle	29°
20	Departure Angle	45°
21	Forward Tilt	4°
22	Backward Tilt	8°
23	Minimum Outside Radius	3160mm
24	Platform Height	980mm
25	Platform Length	1490mm
A	Capacity	14000kg
B	Unladen Weight	16500kg
C	Maximum Ground Speed	15km/h
D	Gradability	15%
E	John Deere 4045 diesel engine	93kW (125hp)
F	Electrics	12 Volt
G	Fork Section	65mm x 250mm x 1490mm
H	400 / 55 – 15 Front Tyre	OD 825mm / Width 326mm
I	465 / 55 - 20 Rear Tyre	OD 1016mm / Width 457mm
J	Standard Colour	Green & Grey
K	Suspension Seat	KAB Model 211



FEATURES INCLUDE:

- Rubber Mounted Cabin
- Multi-Direction Operation
- 3 Wheel Hydrostatic Drive
- Load Sensing Steering
- 4 Way Lever Positioning of Wheels
- Hydraulic Oil Cooler

Distributed by:

COMBiLiFT

Co. Monaghan
Ireland

T: +353 47 80500

F: +353 47 80501

E: info@combilift.com

www.COMBiLiFT.com